

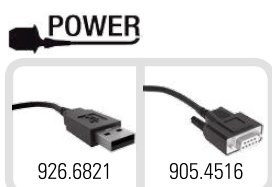
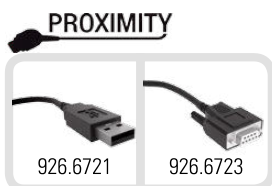
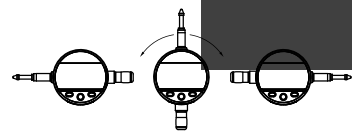
# Digital indicators

# S\_Dial WORK

## DESCRIPTION

## BLUETOOTH® SMART IP67

- Integrated **Bluetooth® SMART** data transmission
- Robust construction
- **Protection rating IP67 according to IEC 60529, even connected**
- Water and coolant resistant
- New technology with configurable menus
- **Broad choice of functions (MIN/MAX/DELTA, TOL, Factor, PRESET, AUTO OFF, etc.)**
- Automatic wake-up and sleeping mode (S.I.S system), **absolute System\***
- **Maximum error of 3 µm**



Interchangeable contact point M2.5, stainless steel with TC ball

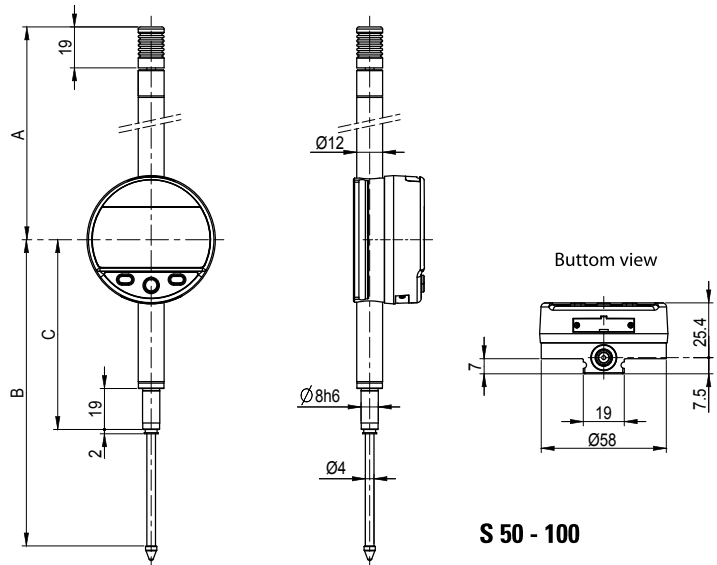
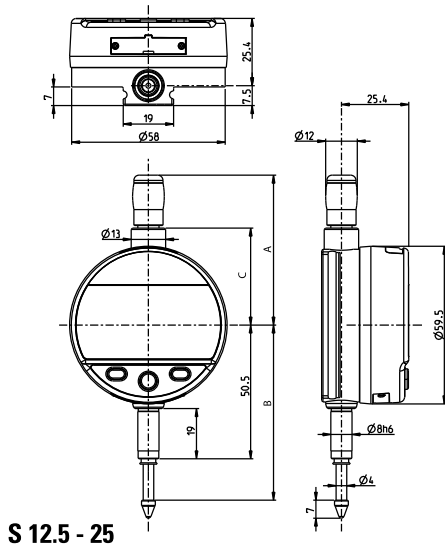
\* SIS description on page 5

# Digital indicators

# S\_Dial WORK

## DIMENSIONAL DRAWINGS

## BLUETOOTH® SMART IP67



## TECHNICAL SPECIFICATIONS

|  |    | 805.6301   | 805.6501 | 805.6621 | 805.6661 |
|--|----|--|----------|----------|----------|
| Measuring range                          | mm | 12.5   | 25       | 50       | 100      |
| Resolution                               | mm | 0.001  | 0.001    | 0.001    | 0.001    |
| Max. Error fe                            | µm | <b>3</b>   | <b>4</b> | <b>5</b> | <b>6</b> |
| Repeatability                            | µm | 2  |          |          |          |
| Model type <sup>1)</sup>                 |    | <b>S</b>   |          |          |          |
| IP67 (IEC 60529)                         |    | ●  |          |          |          |
| A  | mm | 56.6   | 69.3     | 121      | 172      |
| B  | mm | 66.1   | 79       | 142      | 244      |
| C  | mm | 36.6   | 49.4     | 88       | 139      |
| S_Connect : Proximity / Power            |    | USB / RS232 / BLUETOOTH® Smart*  |          |          |          |
| Programmable by PC                       |    | ●  |          |          |          |
| Standard functions<br>(customized by PC) |    | mm/inch, ref I/II, preset (max 999.999)<br>min/max/delta, tolerances, resolution, direction of measurement, multiplication factor,<br>automatic or manual switch off, key lock |          |          |          |

<sup>1)</sup> S = Standard

**\* 100% compatible with BLUETOOTH® Smart dongle 981.7100**  
See page 6 for availability according to the country

## BASIC INSTRUMENT

## MEASURING FORCE

|  |   | 12.5        | 25          | 50         | 100       |
|--|---|-------------|-------------|------------|-----------|
| • Instrument according to technical specifications |   |             |             |            |           |
| • Lithium battery CR2032 included                  |   |             |             |            |           |
| • Instruction manual                               |   |             |             |            |           |
| • Calibration certificate for instruments 0.001 mm |   |             |             |            |           |
| Standard   | N | 0.65 - 0.90 | 0.65 - 1.15 | 1.25 - 2.7 | 2.2 - 5.7 |
| Low <sup>2)</sup>                                  | N | 0.4 - 0.55  | 0.45 - 0.9  | ---        | ---       |
| High <sup>2)</sup>                                 | N | 1.0 - 1.6   | 0.9 - 1.8   | ---        | ---       |

Tolerance ± 20%, spindle in outgoing measurement position.

<sup>2)</sup> on request