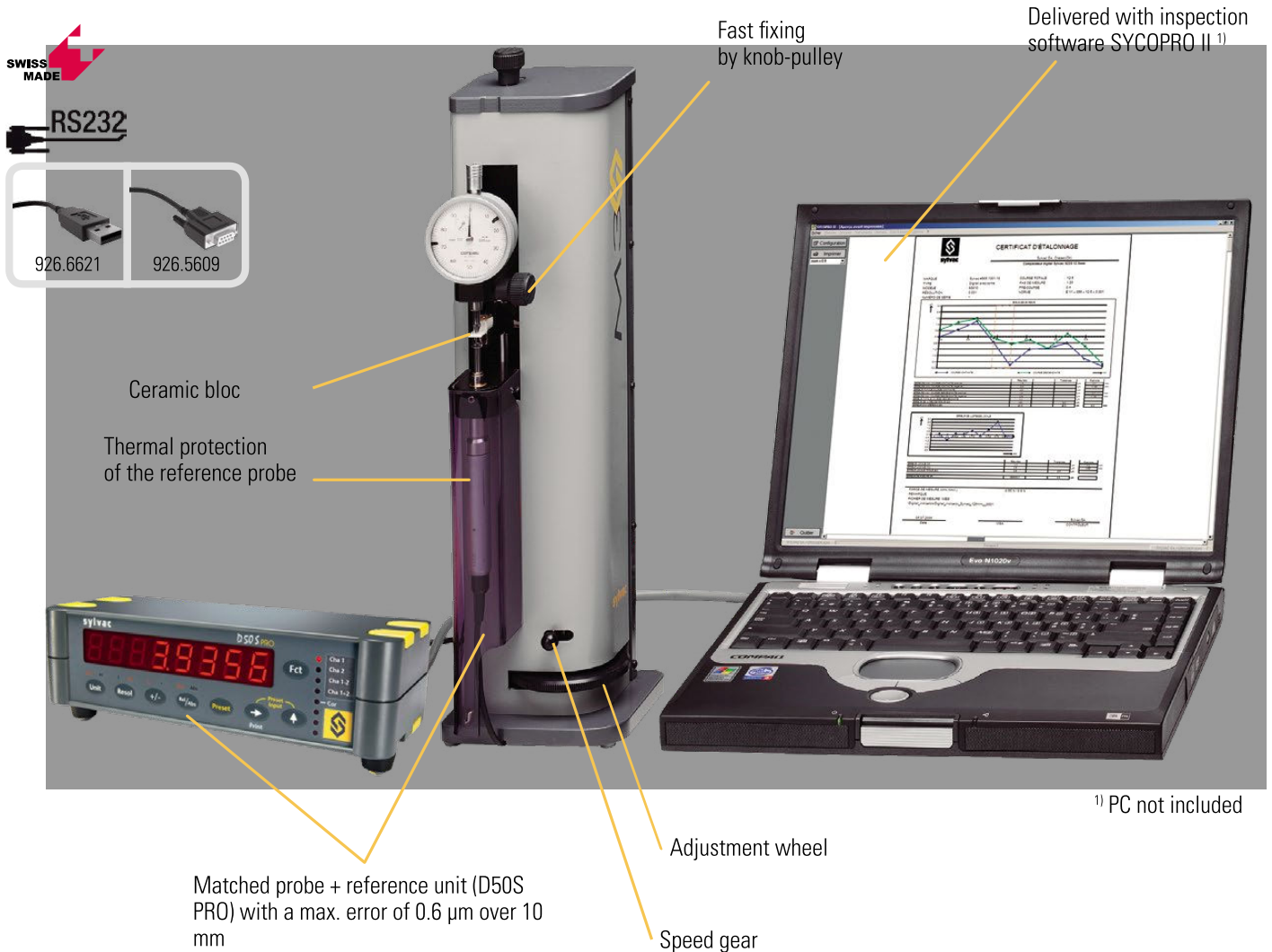


# Dial gauge testing stand M3

## DESCRIPTION

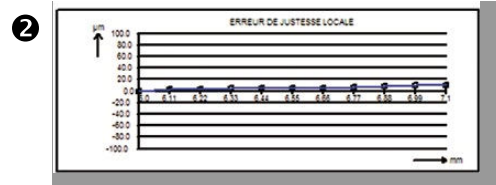
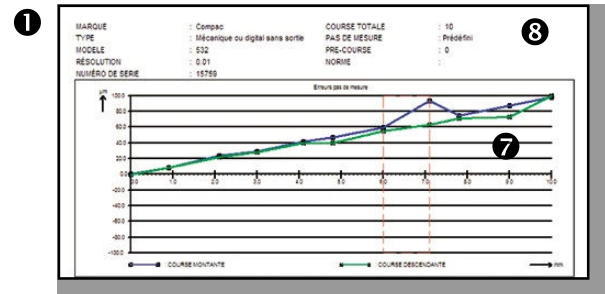
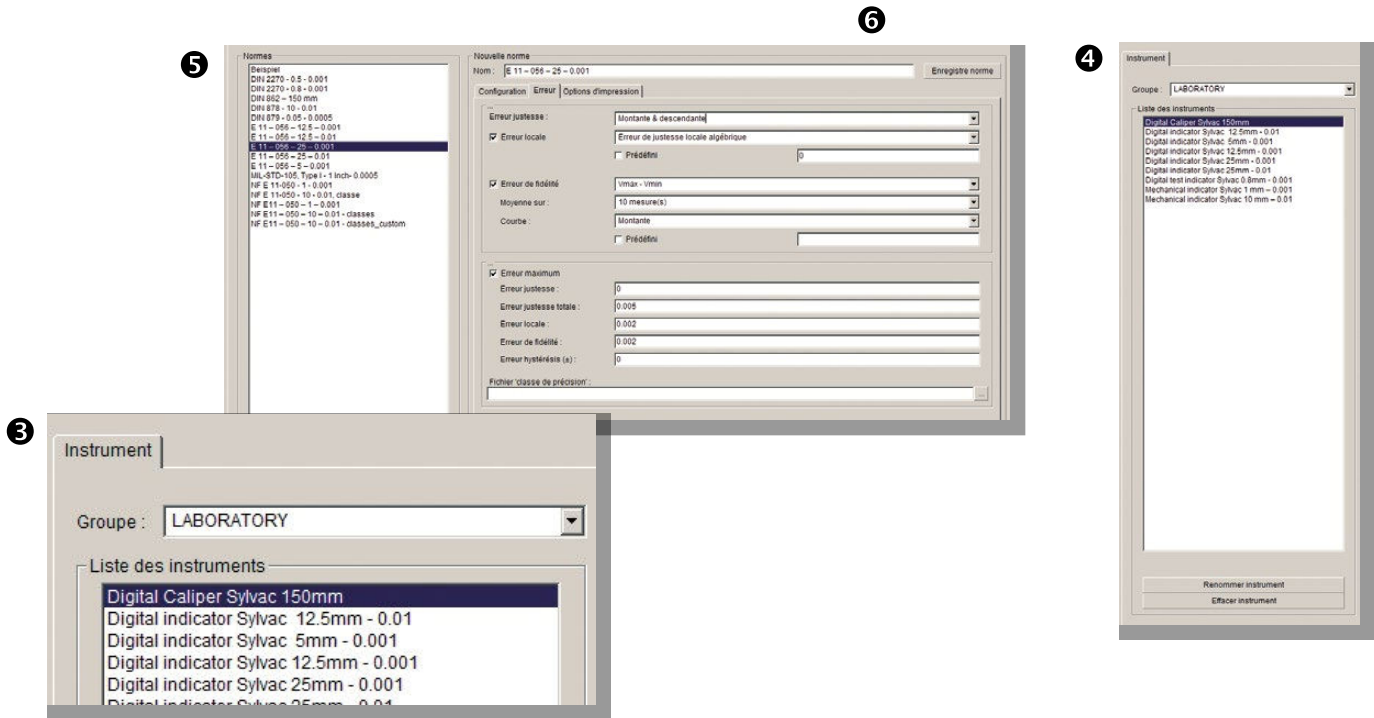
- Suitable for testing dial gauges plunger type and test indicators
- Allows the use of 2 calibrated measuring probes (like P10 and P50) (P10 calibrated on channel 1 and P50 calibrated on channel 2)
- Testing system according to ABBE principle
- Can be used in vertical and horizontal position
- Ceramic gauges blocs
- Direct status from the instrument during checking
- Integrated standards
- Creation of personalized certificates of inspection
- Fast and slow approach speeds
- Visualization at any time of the control status
- Control of digital instruments with direct connection



# Dial gauge testing stand M3

## DISPLAY/SOFTWARE

- 1 Display the curves of measurement
- 2 Check the error and repeatability
- 3 Creation and management of instrument groups
- 4 Fast access to all of stored instruments
- 5 Integrated standards
- 6 Personalisation of the standards
- 7 Display the measured values
- 8 Possibility to customize the certificate

**5 Normes**

Besico  
DIN 2270 - 0.5 - 0.001  
DIN 2270 - 0.8 - 0.001  
DIN 862 - 150 mm  
DIN 878 - 10 - 0.01  
DIN 879 - 0.05 - 0.0005  
E 11 - 050 - 12.5 - 0.001  
E 11 - 050 - 12.5 - 0.01  
E 11 - 050 - 25 - 0.001  
E 11 - 050 - 25 - 0.01  
NF E 11-050-1 - 0.001  
NF E 11-050-1 - 0.001  
NF E 11-050-10 - 0.01 - classe  
NF E 11 - 050 - 10 - 0.01 - classes  
NF E 11 - 050 - 10 - 0.01 - classes\_custom

**6 Nouvelle norme**

Nom: E 11 - 050 - 25 - 0.001

Configuration Erreur Options d'impression

Erreur justesse: Montante & descendante

Erreur locale: Erreur de justesse locale algébrique

Prédéfini: 0

Erreur de hétérogénéité: vmax - vmin

Moyenne sur: 10 mesures

Courbe: Montante

Prédéfini

Erreur maximum

Erreur justesse: 0

Erreur justesse totale: 0.005

Erreur locale: 0.002

Erreur de fidélité: 0.002

Erreur hystérésis (a): 0

Fichier classe de précision:

**4 Instrument**

Groupe: LABORATORY

Liste des instruments

- Digital Caliper Sylvac 150mm
- Digital indicator Sylvac 12.5mm - 0.01
- Digital indicator Sylvac 5mm - 0.001
- Digital indicator Sylvac 12.5mm - 0.001
- Digital indicator Sylvac 25mm - 0.001
- Digital indicator Sylvac 25mm - 0.01
- Digital indicator Sylvac 25mm - 0.01

Renommer instrument  
Effacer instrument

**3 Instrument**

Groupe: LABORATORY

Liste des instruments

- Digital Caliper Sylvac 150mm
- Digital indicator Sylvac 12.5mm - 0.01
- Digital indicator Sylvac 5mm - 0.001
- Digital indicator Sylvac 12.5mm - 0.001
- Digital indicator Sylvac 25mm - 0.001
- Digital indicator Sylvac 25mm - 0.01

## TECHNICAL SPECIFICATIONS

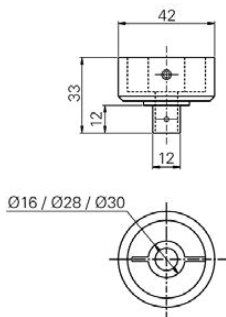
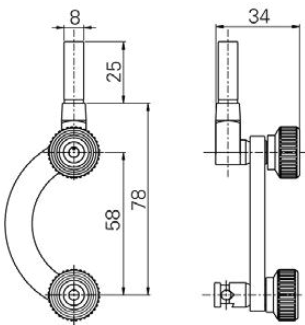
		809.1303	809.1301	809.1302
Measuring range	mm	M3 Kit 10 mm	M3 Kit 25 mm	M3 Kit 50 mm
Max. Error	µm	0.6	0.8	1.5

# Dial gauge testing stand M3

## BASIC INSTRUMENT

- Stand M3 (909.1300)
- Ceramic bloc gauges
- Thermal protection of the probe reference
- D50S PRO + probe, calibrated
- Cable RS232C (925.5609)
- Charging unit according to country (904.4010 / 11 / 12 /13)
- External contact (foot-pedal 904.4101)
- CD- with inspection software SYCOPRO II (981.7124)
- Accessory for lever indicators (909.2010)
- Instruction manual

## ACCESSORIES



<b>909.2010</b>	Clamping device for test indicator
<b>909.2011</b>	Clamping device for dial gauges Ø 16 / 28 / 30 mm