

# DIGITAL INDICATORS S\_DIAL

The electronic indicators are equipped with a linear sensor and an engraved scale glued on the measuring spindle. A sensor replaces the gears. The analogic display is transformed into a digital display.

The SYLVAC electronic indicator program covers the entire range of mechanical indicators with resolutions 0.1 to 0.0001mm and measuring range up to 150mm, and with much better accuracy.

**Sylvac inductive measuring system (patented)**

**Data output**

**Power supply: Lithium battery 3V, Type CR 2032**

**Operational temperature: +5 to +40°C**

**mm/inch conversion**

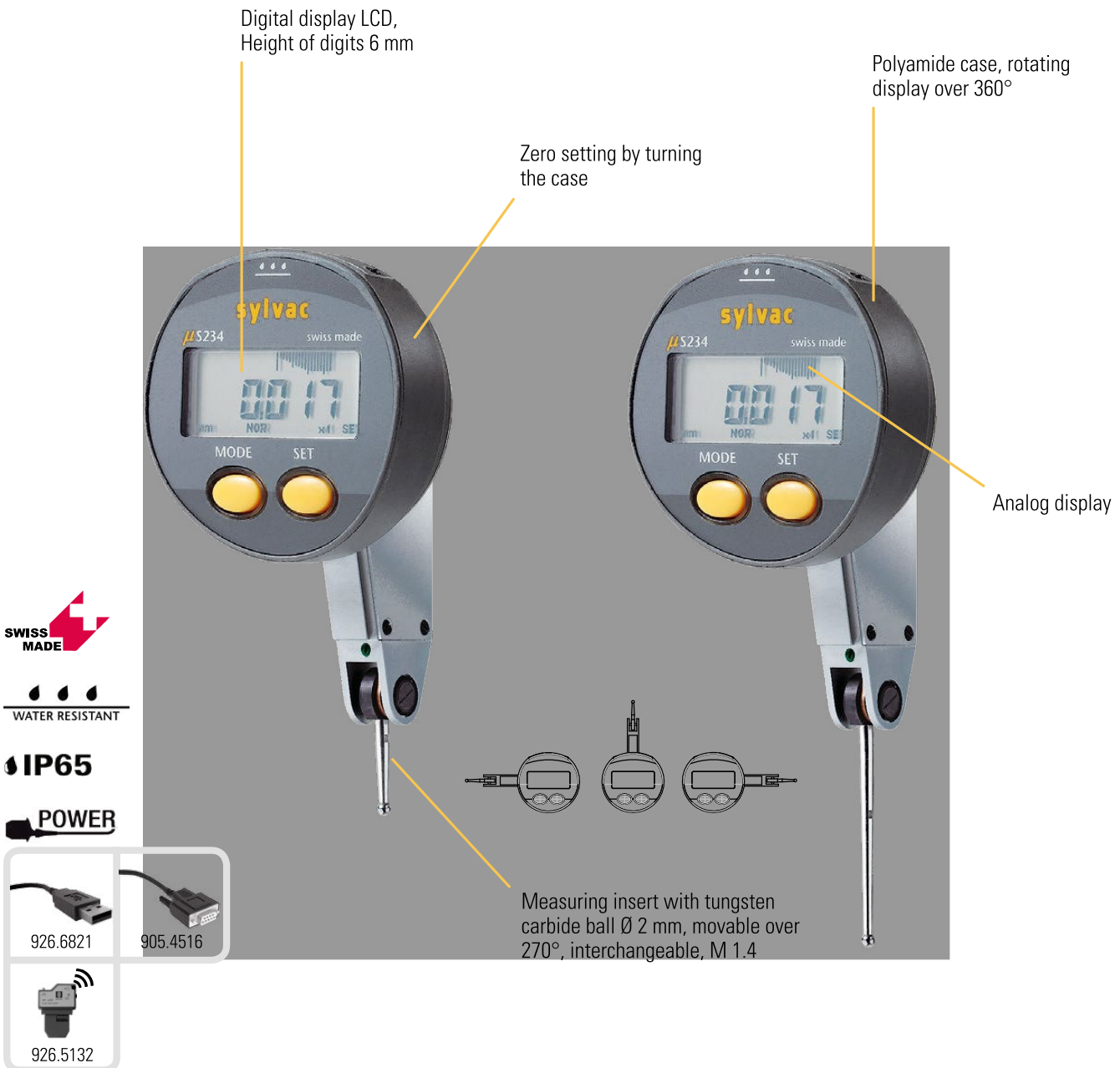


# Digital test indicators

# S\_Dial S234

## DESCRIPTION

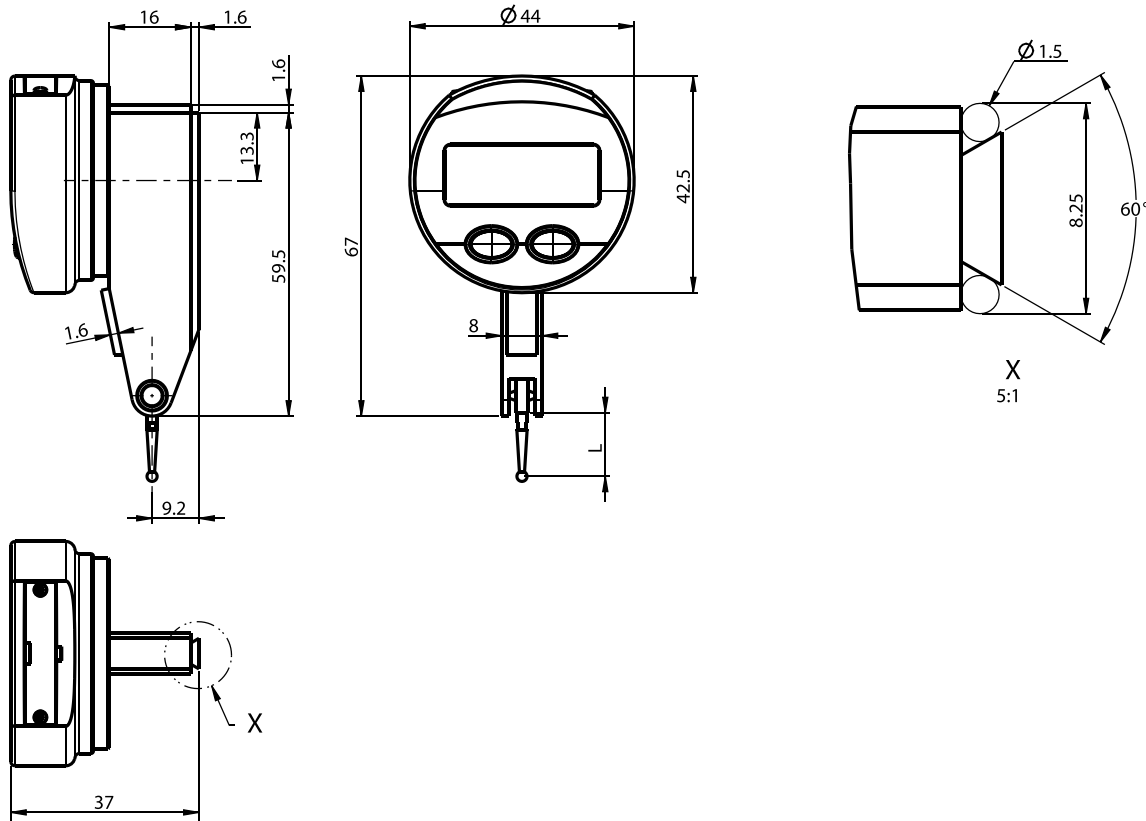
- Digital and analog display
- Water and coolant resistant
- Data output RS 232 combined with external power
- Automatic switch OFF
- Stem  $\varnothing$  8 mm and dovetail back
- Rotating display over 360°



# Digital test indicators

# S\_Dial S234

## DIMENSIONAL DRAWING



## TECHNICAL SPECIFICATIONS

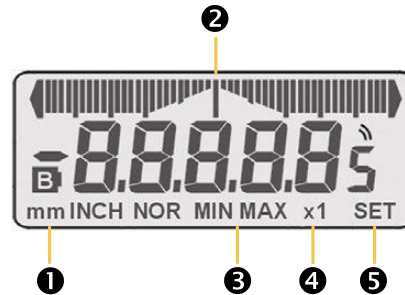
		905.4321	905.4322
Measuring range	mm	0.8	0.5
Probe length	mm	12.5	36.5
Max Error fe	µm	10	10
Hysteresis fu	µm	3 <sup>1)</sup>	4 <sup>1)</sup>
Resolution	mm	0.001	0.001
Repeatability	µm	3	3
Measuring force	N	0.13 ± 15%	0.07 ± 15%
Weight		75	75
Protection rating according to IEC 60529		IP65	
S_Connect : Power		USB / RS232 / Wireless <sup>2)</sup>	
Zero setting		●	
min / max / delta display		●	
Analog scale range ratio		●	
Selection of resolution		●	
Preset		max 99.999	

<sup>1)</sup> ± 1 digit

<sup>2)</sup> see cables chapter

## DISPLAY

- ① Direct mm/inch conversion
- ② Analog display
- ③ Min/max/delta mode
- ④ Analogic resolution display
- ⑤ Zero setting



## BASIC INSTRUMENT

- Instrument according to technical specifications
- Lithium battery CR2032 included
- Instruction manual
- Stem  $\varnothing$  8 mm

## APPLICATIONS



Run-out measurement



Checking the alignment on milling machine.