

# Professional micrometer

# S\_Mike PRO

## DESCRIPTION

CYLINDRICAL Ø6.5

- Automatic wake-up by moving the measuring spindle (system S.I.S)
- Sleeping mode after 20 min. of no use (system S.I.S)
- Position memorized in sleeping mode (system S.I.S), **absolute system\***
- Water protected for heavy-duty work with coolants and lubricants, protection rating IP67 according to IEC 60529, **even connected**
- Measuring range 0-161 mm **covered with 5 instruments only**
- Set of 3 micrometers 0-102 mm available
- Quick displacement of the measuring spindle 12 mm / rotation
- Adjustable measuring force 5N / 10N (versions 903.030X)
- Repeatability and reproducibility never reached before
- Thimble in polyacetal-copolymer

Measuring surface  
in hard metal

Non-rotating spindle Ø 6.5 mm

Fast handle movement  
with ratchet



S\_connect proximity

Simple and friendly  
functions

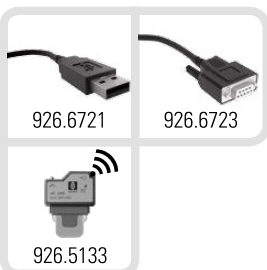


SIS Smart  
Inductive  
System

WATER RESISTANT

IP67

PROXIMITY



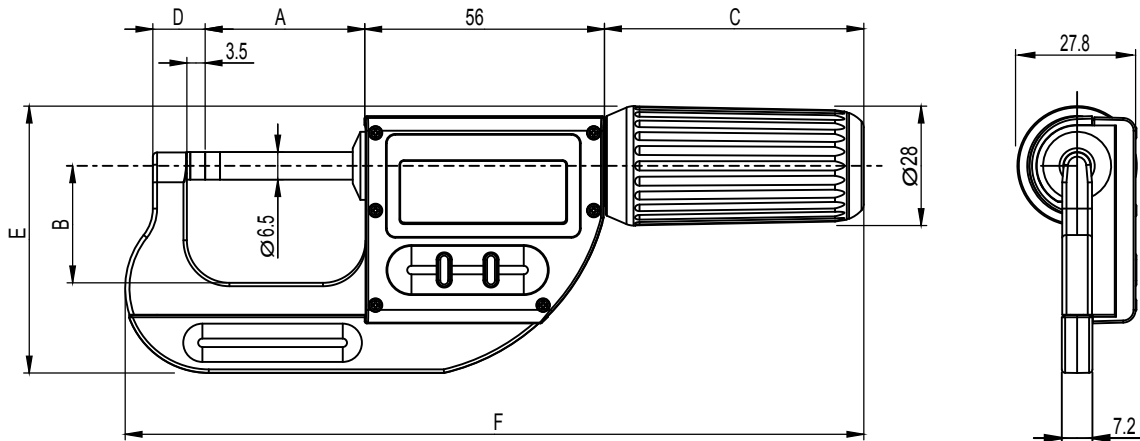
\* SIS description on page 5

# Professional micrometer

# S\_Mike PRO

DIMENSIONAL DRAWING

CYLINDRICAL Ø6.5



## TECHNICAL SPECIFICATIONS

		903.0300	903.0600	903.1000	903.1360	903.1600
Measuring range	mm	0-30	30-66	66-102	100-136	125-161
Max. Error G <sup>1)</sup>	µm	3	4	5	7	8
Repeatability <sup>2)</sup>	µm	1	1	1	2	2
Anvils types		Ø6.5				
A	mm	38.5	74.5	110.5	126	168
B	mm	27.5	43	60	95	110
C	mm	63	75	75	75	75
D	mm	11.5	12.5	13.5	19.3	19.3
E	mm	63	85	106	149	167
F	mm	176	231	270	307	340
S_Connect : Proximity		USB / RS 232 / Wireless <sup>3)</sup>				
Prot. rating accor. to IEC 60529		IP67 even connected				
Setting by PC		●				
Adjustable measuring force		5N / 10N	10N			
Non-rotating spindle		●				
Fast movement		●				
Preset function		●				
Smart Inductive Sensor		●				

<sup>1)</sup> according to DIN 863

<sup>2)</sup> ± 1 digit

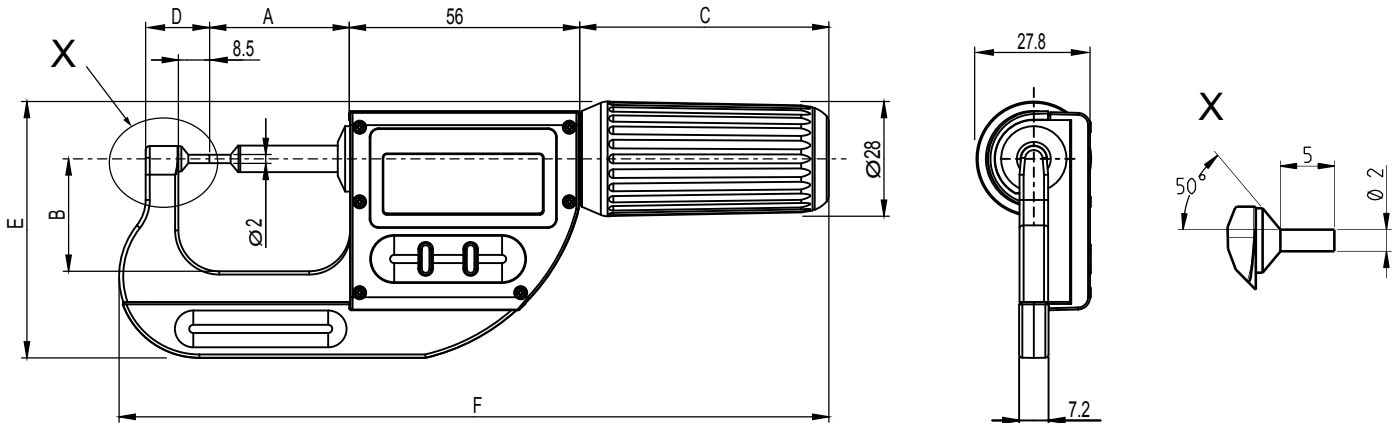
<sup>3)</sup> see cables chapter

# Professional micrometer

# S\_Mike PRO

## DIMENSIONAL DRAWING

## CYLINDRICAL Ø2



## TECHNICAL SPECIFICATIONS

		903.0301	903.0601	903.1001	903.1301	903.1601
Measuring range	mm	0-25	25-60	60-95	95-120	120-145
Max. Error G <sup>1)</sup>	µm	3	4	5	6	7
Repeatability <sup>2)</sup>	µm	1	1	1	2	2
Anvils types		Ø2				
A	mm	33.5	69.5	105.5	126	168
B	mm	27.5	43	60	95	110
C	mm	63	75	75	75	75
D	mm	11.5	12.5	13.5	19.3	19.3
E	mm	63	85	106	149	167
F	mm	176	231	270	307	340
S_Connect : Proximity		USB / RS 232 / Wireless <sup>3)</sup>				
Prot. rating accor. to IEC 60529		IP67 even connected				
Setting by PC		●				
Adjustable measuring force		5N / 10N	10N			
Non-rotating spindle		●				
Fast movement		●				
Preset function		●				
Smart Inductive Sensor		●				

<sup>1)</sup> according to DIN 863

<sup>2)</sup> ± 1 digit

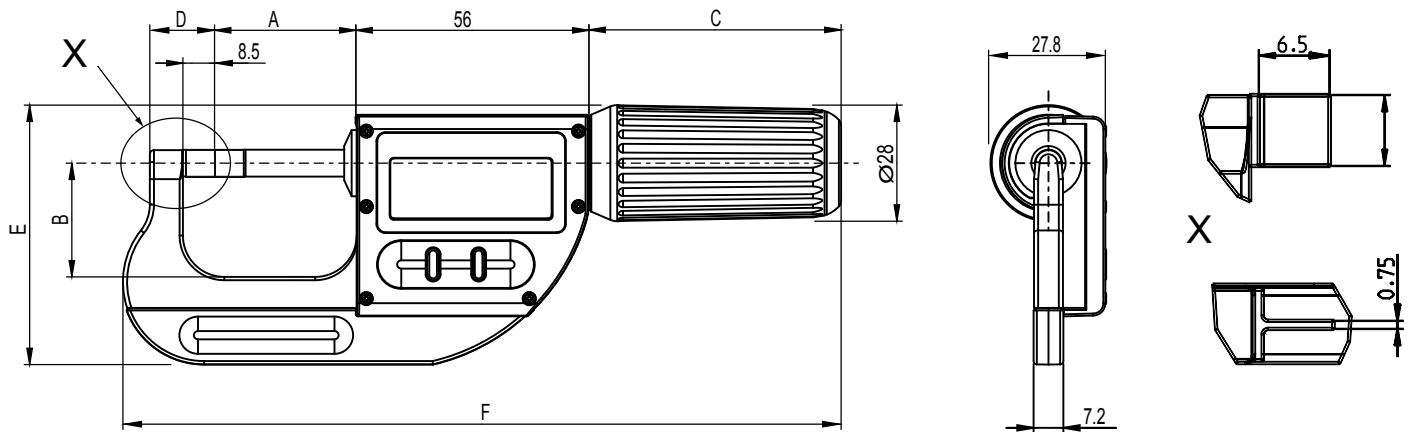
<sup>3)</sup> see cables chapter

# Professional micrometer

# S\_Mike PRO

## DIMENSIONAL DRAWING

## KNIFE-SHAPED



## TECHNICAL SPECIFICATIONS

		903.0302	903.0602	903.1002	903.1302	903.1602
Measuring range	mm	0-25	25-60	60-95	95-120	120-145
Max. Error G <sup>1)</sup>	µm	3	4	5	6	7
Repeatability <sup>2)</sup>	µm	1	1	1	2	2
Anvils types		0.75x6.5				
A	mm	33.5	69.5	105.5	126	168
B	mm	27.5	43	60	95	110
C	mm	63	75	75	75	75
D	mm	11.5	12.5	13.5	19.3	19.3
E	mm	63	85	106	149	167
F	mm	176	231	270	307	340
S_Connect : Proximity		USB / RS 232 / Wireless <sup>3)</sup>				
Prot. rating accor. to IEC 60529		IP67 even connected				
Setting by PC		●				
Adjustable measuring force		5N / 10N	10N			
Non-rotating spindle		●				
Fast movement		●				
Preset function		●				
Smart Inductive Sensor		●				

<sup>1)</sup> according to DIN 863

<sup>2)</sup> ± 1 digit

<sup>3)</sup> see cables chapter

# Professional micrometer

# S\_Mike PRO

## BASIC INSTRUMENT



903.1301



910.1301 including:  
910.1502, 903.0300 et 903.0330

		903.1300	903.1301	910.1301
Measuring rang	mm	0-102	0-102	150 / 0-30
Plastic case		●		
Aluminium case			●	●

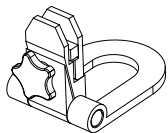
## BASIC INSTRUMENT

- Instrument according to technical specifications
- Pin gauge 50 mm (for 903.060X)
- Pin gauge 75 mm (for 903.100X)
- Lithium battery CR2032 included
- Instruction manual
- Calibration certificate

## MICROMETERS SETS

- 903.0300 / 0600 / 1000
- Pin gauge 50 mm
- Pin gauge 75 mm
- Lithium battery CR2032 included
- Instruction manual
- Calibration certificate

## ACCESSORIES



<b>903.0330</b>	Stand
<b>903.0620</b>	Pin gauge 50 mm
<b>903.1020</b>	Pin gauge 75 mm
<b>903.1620</b>	Pin gauge 125 mm